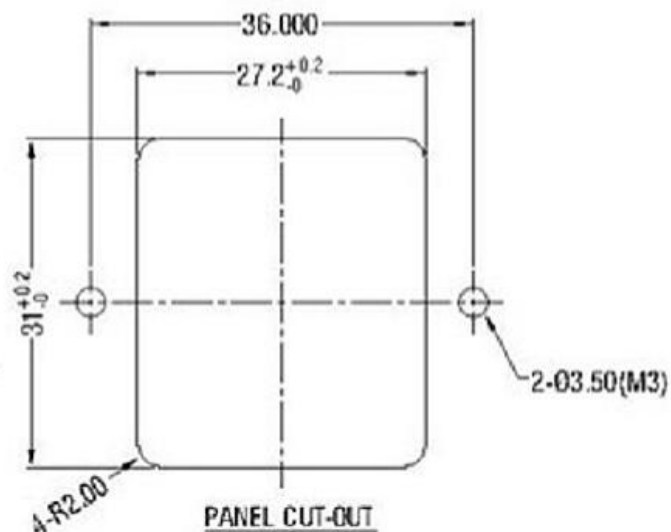
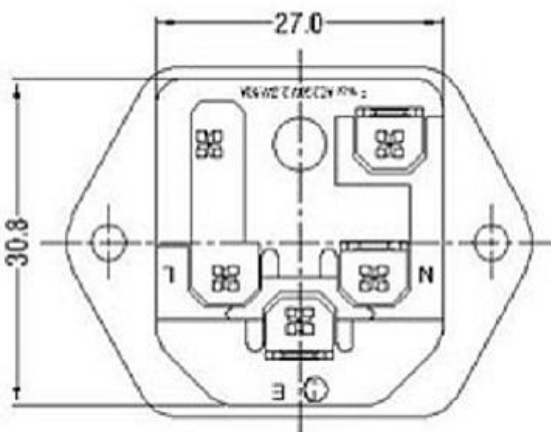
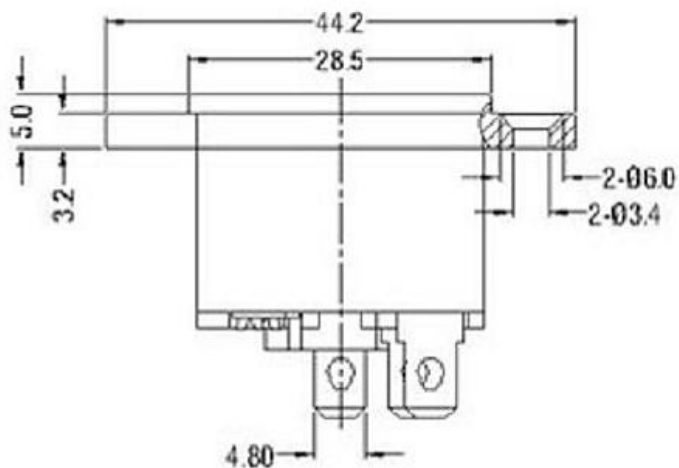


SECTION: A-A



SPEC:

A. Material:

1. Housing: PBT

2. Terminal: COPPER ALLOY, TIN PLATED

B. Electrical Characteristics:

1. Rating: 10A 250V~

2. Electric Strength: AC 2,000 V FOR ONE MINUTE

3. Insulation Resistance: 100MΩ MIN, AT 500V DC

C. Approvals:

UL, CUL, CGC, ENEC

				普通公差 COMMON TOLERANCE:	 东莞市高迪电子有限公司					
				UP TO 5 ±0.20						单位 UNIT
				ABOVE 5 TO 30 ±0.30	绘图 DRAWN BY	林晓良	核对 CHECKED BY		型号 MODEL NO.	
				ABOVE 30 ±0.50	日期 DATE	19. 08. 12	核准 APPROVAL BY		料号 PART NO.	KD-AC电源插座
REV.	DATE	REVISION DESCRIPTION	ISSUE	ANGULAR ±5°						